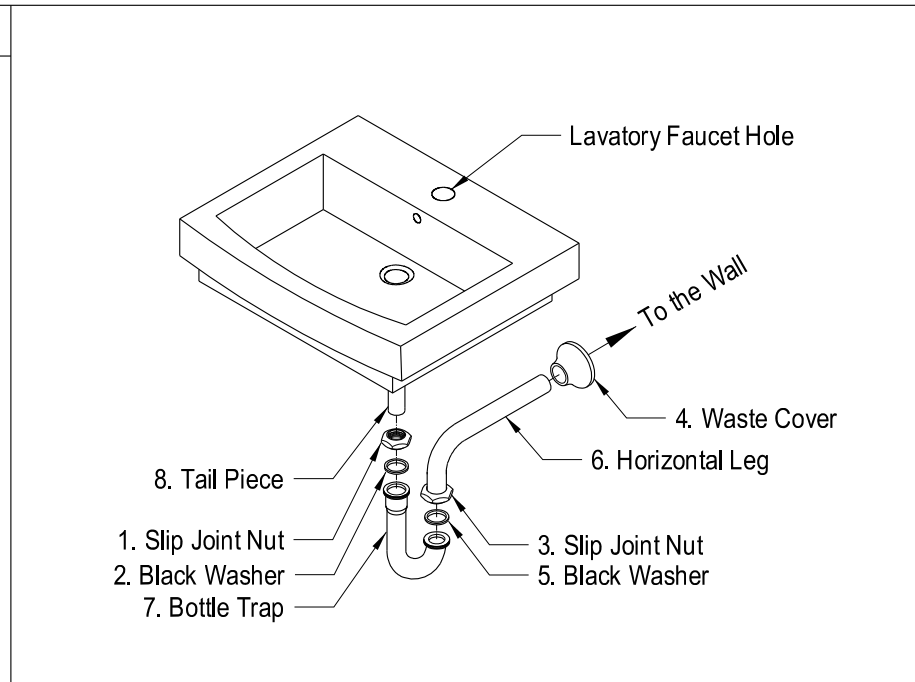


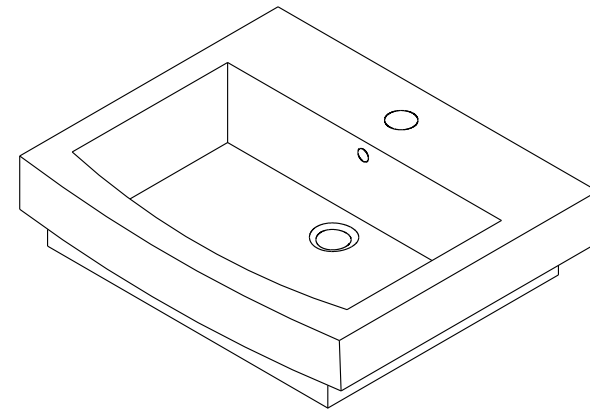
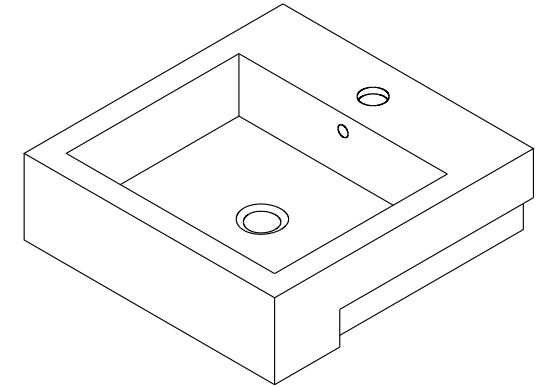
P-Trap Installation:

9



1. Remove horizontal leg and slip joint nut from bottle trap.
2. Apply teflon to all exposed threads.
3. Insert slip joint nut(3) and waste cover(4) onto horizontal leg(6).
4. Insert horizontal leg into wall waste opening, do not tighten.
5. Insert black washer(2) and slip joint nut(1) onto tail piece(8).
6. Attach bottle trap(7) to tail piece and hand tighten slip joint nut(1).
7. Align bottle trap with horizontal leg and tail piece, at this point it may be necessary to cut part of tail piece or part of horizontal leg to obtain proper alignment.
8. After all components have been properly aligned, insert horizontal leg making sure to insert black washer(5) before tightening slip joint nut(3).
9. Thread both slip joint nuts onto bottle trap and tighten along with slip joint securing horizontal leg to wall waste opening.
10. Check for leakage by opening faucet and letting water run for at least 45 seconds.

FAUCETURE



www.kingstonbrass.com

TOLL-FREE CUSTOMER SERVICE: 1-877-2-KBRASS

TECHNICAL SUPPORT E-mail: service@kingstonbrass.com

12775 Reservoir Street, Chino, CA91710

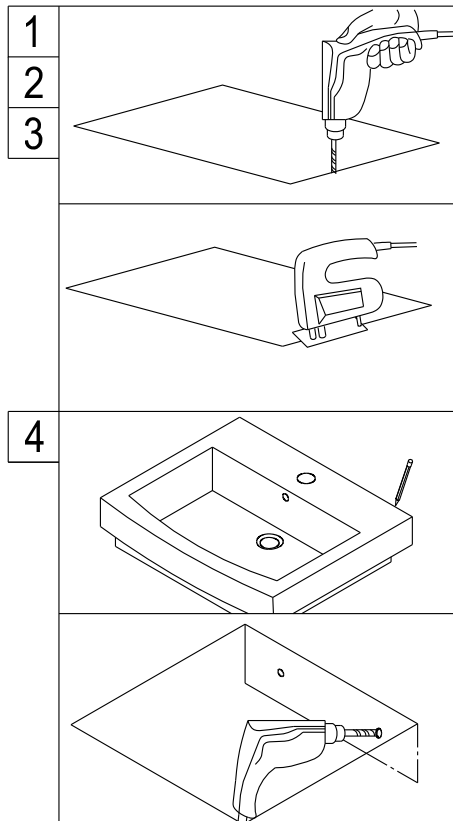
FAUCETURE

INSTALLATION INSTRUCTIONS For Use RECESS MOUNT BASIN

Before Installation :

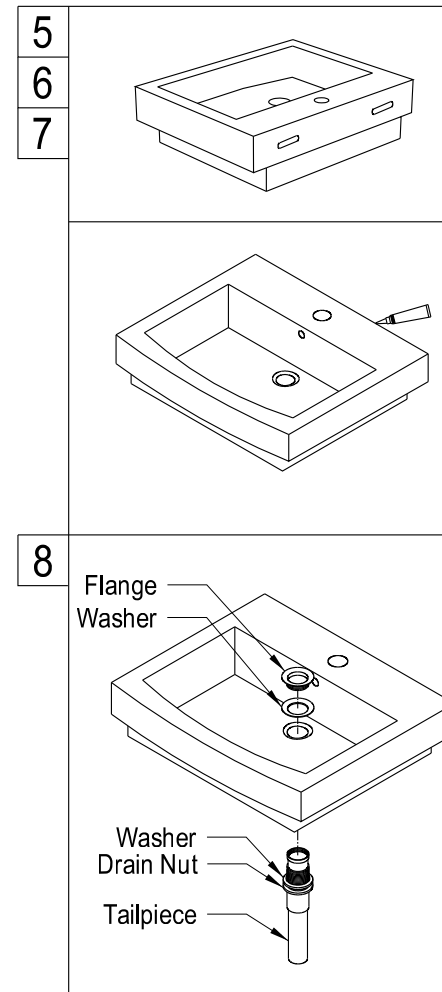
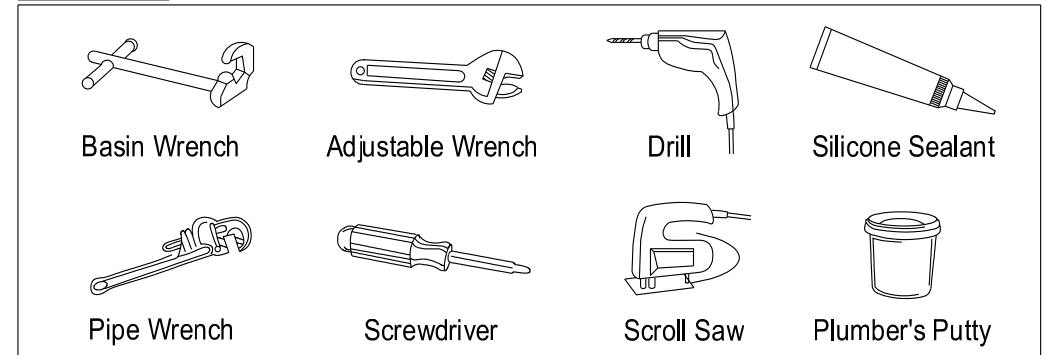
1. Prior the installation, unpack your new Kingston Brass product and inspect it keep the product in its original package until you are ready to install it.
2. Shut the water supply off when replacing an existing fixture. Preparation of the floors and walls, including all additional wall supports, maybe required.
3. Observe all local plumbing and building codes.
4. Do not install this fixture alone.
5. Make sure to select appropriate drain as some of Kingston Brass vessel sinks do not include overflow hole.

Installation Step :



1. Place basin/sink on top of counter where it will be installed.
2. Mark the location of drain opening.
3. Use the installation template to make a cut out on the counter. (If sink does not require a template to cut the counter, sit the basin above the counter)
4. Mark hole position by measuring the distance from counter height to center of mounting hole and center to center between two back mounting hole.

Need Tools:



5. Turn basin/sink over; apply a very thin bead of clear caulking around the base of basin/sink.
6. Drill two 1/2" holes, insert anchors and tighten.
7. Turn right side up and place basin/sink on counter. Centering basin/sink on cut out and clean all excess caulking.
8. Insert the drain as show in picture, tighten the drain nut from underneath of the counter and making sure not to over tighten as this may cause cracks in your basin/sink.